

Technical data sheet



Product features

Convectomat electric Direct steam Color touch screen Right-hinged door 7x GN 1/1

Model	SAP Code	00038574
MPDN 0711 ER	A group of articles - web	Convection machines



- Steam type: Injection
- Number of GN / EN: 7
- GN / EN size in device: GN 1/1, EN 600x400
- GN device depth: 65
- Control type: Touchscreen
- Display size: 7"
- Humidity control: Yes, indirect measuring
- Delta T heat preparation: Yes
- Multi level cooking: Drawer program - control of heat treatment for each dish separately
- Door constitution: Vented safety double glass, removable for easy cleaning

SAP Code	00038574	Steam type	Injection
Net Width [mm]	907	Number of GN / EN	7
Net Depth [mm]	752	GN / EN size in device	GN 1/1, EN 600x400
Net Height [mm]	823	GN device depth	65
Net Weight [kg]	105.00	Control type	Touchscreen
Power electric [kW]	9.600	Display size	7"
Loading	400 V / 3N - 50 Hz		

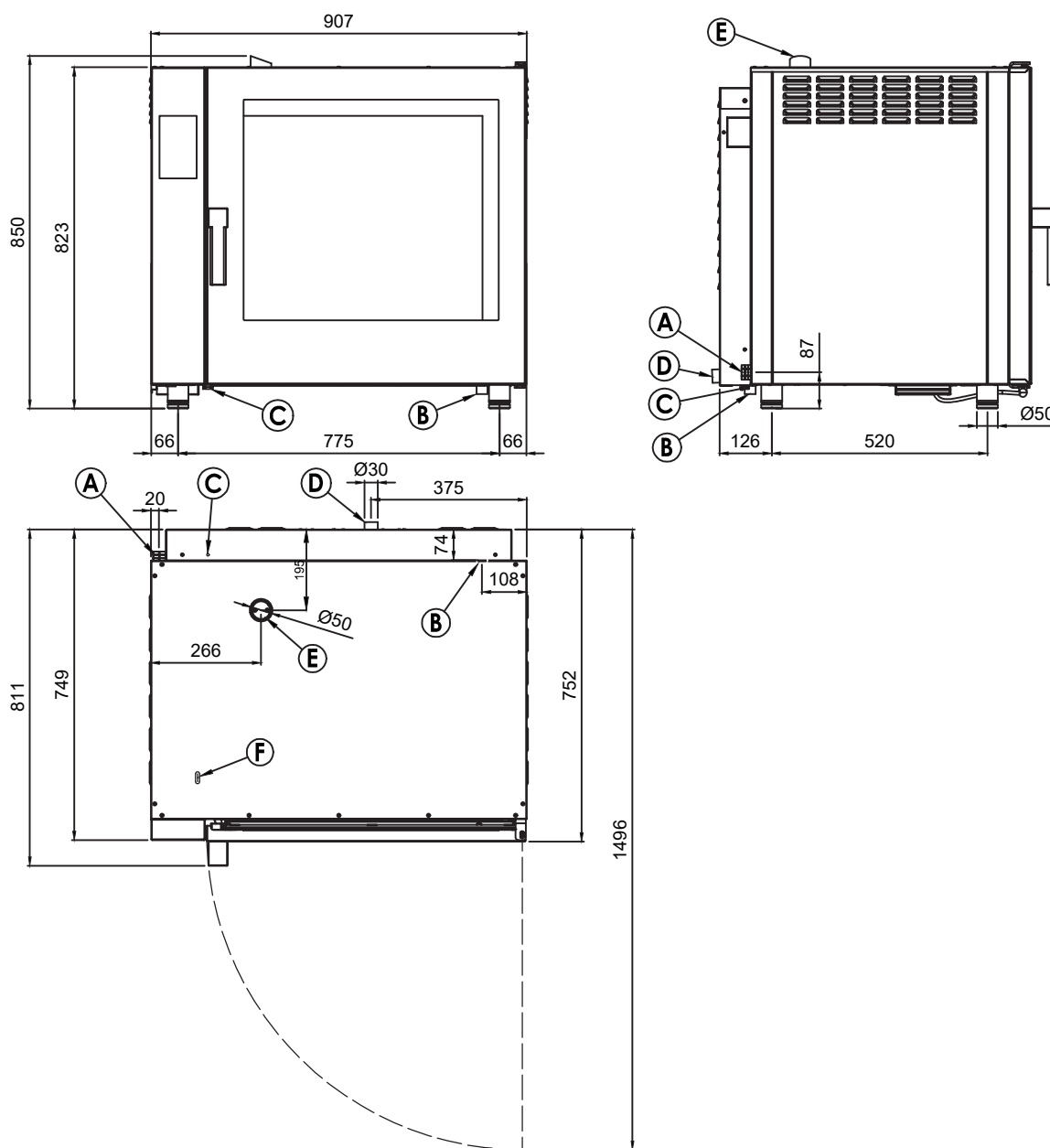
Technical data sheet



Technical drawing

Convektomat electric Direct steam Color touch screen Right-hinged door 7x GN 1/1

Model	SAP Code	00038574
MPDN 0711 ER	A group of articles - web	Convection machines



Technical data sheet



Product benefits

Convektomat electric Direct steam Color touch screen Right-hinged door 7x GN 1/1

Model	SAP Code	00038574
MPDN 0711 ER	A group of articles - web	Convection machines

1 **Rapid chamber ventilation system**

fast ventilation of odors
– saving time and costs

2 **Double glazed ventilation door (panels can be opened)**

easy cleaning and washing
– easier human work and effort - more satisfied staff

3 **LED cooking chamber lighting**

overview inside the combi oven
– saving time and costs, when we do not open the convection oven, hot air does not escape

4 **AISI 304 cooking chamber with curved corners**

easy cleaning and washing
– easier human work and effort - more satisfied staff

5 **Height adjustable feet**

variability of operation
– possibility of height adjustment

6 **Single knob control**

simplicity
– saving time; easier human work and effort - more satisfied staff

7 **Trolley**

cooks and handles up to 20 GN at once
– low operating costs, saving time and costs

8 **Preset cooking programs**

possibility of controlling 9 cooking phases for each of them
– saving time and costs

9 **One Touch cooking mode**

immediate start of the cooking cycle “one touch of the program”
– saving time and costs

10 **Easy service**

possibility of cooking different dishes at the same time
– saving time and costs

11 **Super Steam**

possibility of setting 2 humidity levels
– tasty balanced meals

12 **Hold function**

possibility of maintaining food temperature, immediate serving
– saving time and costs

13 **Regeneration function**

food regeneration
– tasty and more valuable food, nice appearance of the food,

14 **Rack control**

possibility of serving all dishes at the same time in one place
– saving time and costs

Technical data sheet



Technical parameters

Convektomat electric Direct steam Color touch screen Right-hinged door 7x GN 1/1

Model	SAP Code	00038574
MPDN 0711 ER	A group of articles - web	Convection machines

1. SAP Code:

00038574

2. Net Width [mm]:

907

3. Net Depth [mm]:

752

4. Net Height [mm]:

823

5. Net Weight [kg]:

105.00

6. Gross Width [mm]:

940

7. Gross depth [mm]:

900

8. Gross Height [mm]:

878

9. Gross Weight [kg]:

125.00

10. Device type:

Electric unit

11. Power electric [kW]:

9.600

12. Loading:

400 V / 3N - 50 Hz

13. Material:

AISI 304

14. Exterior color of the device:

Stainless steel

15. Adjustable feet:

Yes

16. Humidity control:

Yes, indirect measuring

17. Stacking availability:

Yes

18. Control type:

Touchscreen

19. Additional information:

possibility of reverse door opening - handle on the right side (must be specified when ordering)

20. Steam type:

Injection

21. Chimney for moisture extraction:

Yes

22. Display size:

7"

23. Delta T heat preparation:

Yes

24. Unified finishing of meals EasyService:

Yes

25. Night cooking:

Yes

26. Multi level cooking:

Drawer program - control of heat treatment for each dish separately

Technical data sheet



Technical parameters

Convektomat electric Direct steam Color touch screen Right-hinged door 7x GN 1/1

Model	SAP Code	00038574
MPDN 0711 ER	A group of articles - web	Convection machines

27. Slow cooking:

from 50 °C

28. Fan stop:

Interruption when door is opened, not braked

29. Lighting type:

LED lighting in the door, on one side

30. Cavity material and shape:

AISI 304, with rounded corners for easy cleaning

31. Reversible fan:

Yes

32. Sustance box:

Yes

33. Standard equipment for device:

1-point probe

34. Heating element material:

Incoloy

35. Probe:

Yes

36. Shower:

Manual (optional)

37. Distance between the layers [mm]:

74

38. Smoke-dry function:

Yes

39. Interior lighting:

Yes

40. Low temperature heat treatment:

Yes

41. Number of fan speeds:

3

42. Number of programs:

1000

43. USB port:

Yes, for uploading recipes and updating firmware

44. Door constitution:

Vented safety double glass, removable for easy cleaning

45. Number of preset programs:

100

46. Number of recipe steps:

9

47. Minimum device temperature [°C]:

50

48. Maximum device temperature [°C]:

300

49. Device heating type:

Combination of steam and hot air

50. HACCP:

Yes

51. Number of GN / EN:

7

52. GN / EN size in device:

GN 1/1, EN 600x400

53. GN device depth:

65

54. Cross-section of conductors CU [mm²]:

2

Technical data sheet



Technical parameters

Convektomat electric Direct steam Color touch screen Right-hinged door 7x GN 1/1

Model	SAP Code	00038574
MPDN 0711 ER	A group of articles - web	Convection machines

55. Diameter nominal:

DN 50

56. Water supply connection:

3/4"